

# TIAH-64D MPU

The Tesla™ TIAH-64D Micro Power Unit is a complete battery system that incorporates patented power cell technology with an intelligent charging system and ac-dc converter. Specifically designed to fit the AH-64D Apache Longbow Helicopter, the TIAH-64D provides more power than comparable NiCd batteries with no risk of thermal runaway. And, this state-of-the art Micro Power Unit will charge from the helicopter's 200 Vac 3-Phase 400 Hz power or from 110/220 outlet power. As always, Tesla™ stands behind the TIAH-64D with a three-year warranty, a trained military support team, and an experienced staff of customer service professionals.



**Power Anytime, Anywhere**

## Features:

- Maintenance-free design
- 24.0 Vdc @ 23 amp hours rechargeable power
- 28.5 Vdc @ 10 amps continuous power for testing and troubleshooting avionics and weapons systems
- 5 to 7 year service life with a 3 year warranty
- Non-hazardous, dry-cell technology
- Built in Capacity Meter/Recharge State Indicator
- Charges from 187-260 Vac three phase, 400Hz power when installed in aircraft
- Also plugs into ac power to recharge cells
- Back-charges off of dc aircraft bus



**Tesla™** Industries, Inc.

[www.teslainsd.com](http://www.teslainsd.com) ♦ [www.tesla1.com](http://www.tesla1.com)

Email: [tesla1@teslainsd.com](mailto:tesla1@teslainsd.com)

**Headquarters:** (302) 324-8910

101 Centerpoint Blvd. New Castle, DE 19720

**Western Regional Office:** (775) 622-8801

9475 Double R Blvd. Suite 2, Reno, NV 89521

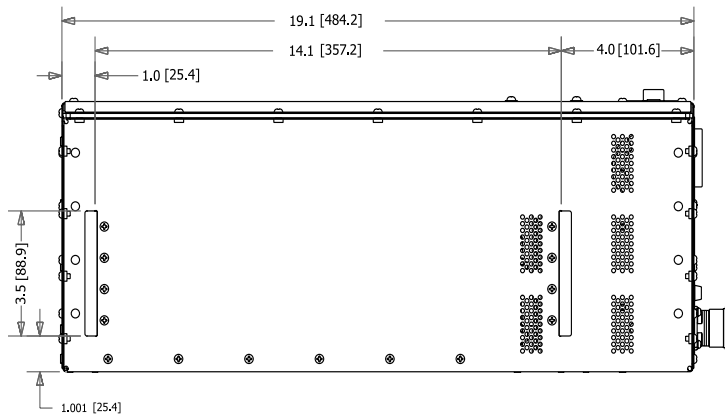


**The POWER  
of  
RED™**

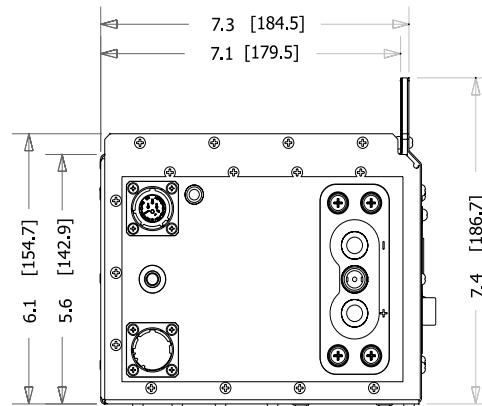


# Dimensions and Technical Specifications

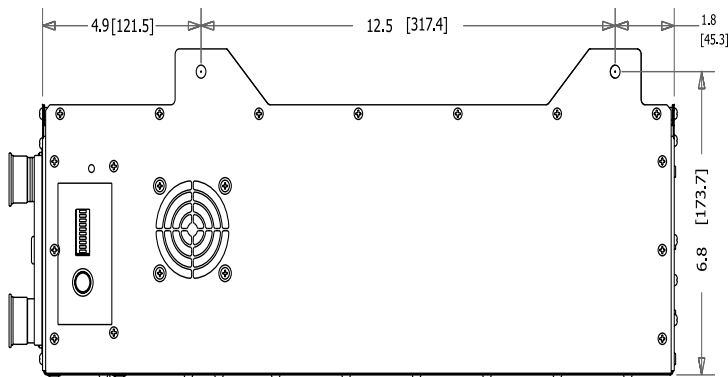
\* All dimensions are in inches [millimeters]



Top View



Front View



Side View



The TIAH-64D MPU installed in an AH-64D Apache Helicopter.

## Technical Specifications:

Storage Temperature	-65 °C - +60 °C (-85 °F - 140 °F)
Operating Temperature	-40 °C - +60 °C (-40 °F - 140 °F)
DC Output - continuous	28.5 Vdc @10 amps
DC Output - rechargeable	24.0 Vdc @ 23 amp hours
AC Input	100-130 Vac, 45 - 450Hz 6.4 amps max 200-260 Vac, 45 - 450Hz 3.2 amps max
AC Input Power from Aircraft	187-260 Vac 3-phase / 45 - 450Hz
Recharging Rate	143 minutes w/AC power
Shock	50 G
Vibration	Exceeds MIL-STD-810
Weight	52.6 lbs (23.9 kg)
Warranty	3 years



Front View