

TI3560-12-24 GPU



Power Anytime, Anywhere

The TI3560-12-24 GPU has been designed as a stand-alone source of DC power for ground support systems and maintenance operations. Using a single 120 Vac power source, it will provide both 12 Vdc and 24 Vdc continuous output power. In the field, it will produce up to 3000 peak amps – making the TI3560 a perfect solution for all of your ground power needs.

Features:

- 24 VDC Output:
- 3000 peak starting amps
 - 40 amps of continuous power @ 28.5 Vdc (when plugged into ac power)
 - 86 amp hours (2199 watt hours) with ac power
 - 46 amp hours (1024 watt hours) of rechargeable battery power without ac

- 12 VDC Output:
- 3000 peak starting amps
 - 20 amps of continuous power @ 14.25 Vdc (when plugged into ac power)
 - 66 amp hours (1309 watt hours) with ac power
 - 46 amp hours (1024 watt hours) of rechargeable battery power without ac

- Dual Capacity Meter/Recharge State Indicators
- Plugs into a standard AC power outlet to recharge cells
- Safe, easy, maintenance-free design
- Non-hazardous, dry-cell technology



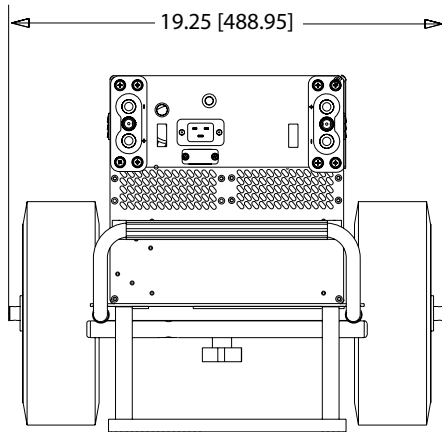
INCLUDES		or		and		and	
	TI2007-208 8ft. DC Aviation Cable Assembly		TI2007-315 15ft. DC NATO Cable Assembly		TI2007-503 (12V side) 15" DC Cable with Alligator Clamps		TI25000-211 NEMA 515P North American Line Cord

Tesla™ Industries, Inc.
www.teslainsd.com ♦ www.tesla1.com
Email: tesla1@teslainsd.com
Headquarters: (302) 324-8910
101 Centerpoint Blvd. New Castle, DE 19720
Western Regional Office: (775) 622-8801
9475 Double R Blvd. Suite 2, Reno, NV 89521

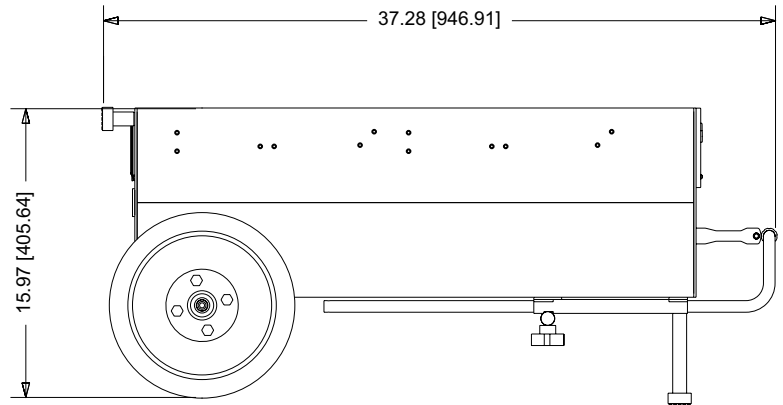


Dimensions and Technical Specifications

* All dimensions are in inches / millimeters



Front View



Side View

Technical Specifications:

Peak Starting Amps 24 Vdc Output: 12 Vdc Output:	3000 A 3000 A
Continuous Amps 24 Vdc Output: 12 Vdc Output:	28.5 Vdc @ 40 amps 14.25 Vdc @ 20 amps
DC Output - Rechargeable 24 Vdc Output: 12 Vdc Output:	24.0 Vdc @ 46 amp hrs. 12.0 Vdc @ 46 amp hrs.
Storage Temperature	-65 °C to 105 °C (-85 °F to 221 °F)
Operating Temperature w/o AC Power	-40 °C to 60 °C (-40 °F to 140 °F)
Operating Temperature w/ AC Power	-40 °C to 55 °C (-40 °F to 131 °F)
AC Input	Operates and Charges from Single Phase 100-260 Vac, 50/60 Hz 19.7 amps @ 120 Vac 9.85 amps @ 240 Vac
Recharging Rate (from full discharge) 24 Vdc Output: 12 Vdc Output:	74 minutes w/ac power 143 minutes w/ac power
Weight	184.5 lbs (83.68 kg)
Warranty	2 years (3-year optional)

“Push to Test” Status Meter Indicators



Optional Accessories:



TI7000-142 Protective Cover



TI7000-026 Shipping Case