



# TI3000 GPU-24-PFC

**Power Anytime, Anywhere**



AC Input Indicator Light

### Benefits

- 70 continuous amps from a single phase outlet
- 90 continuous amps for 4.5 hours with ac power
- 0.999% power factor
- <4% THD (Total Harmonic Distortion)
- Ideal for small to medium size, fixed wing aircraft
- Perfect for testing and troubleshooting (avionics, TMDE, electronics, and hydraulics)
- System back-charges from the started vehicles' engine in minutes
- Will charge and maintain vehicle batteries when unit is left connected to vehicle (ac power required)
- Safe, easy, maintenance-free operation

### Safe and Easy Operation

- One person can maneuver and operate the unit
- Safe for flight, non-hazardous, dry-cell technology
- "Push to Test" feature provides instant state of charge

### Pure Power

- No spikes or surges
- 3000 peak starting amps
- 70 amps continuous @ 28.5 Vdc (when plugged into ac power)
- 46 amp hours (1024 watt hours) of rechargeable battery power without ac
- 96 amp hours (2449 watt hours) with ac power

**INCLUDES**



**TI25000-229** (5-20P)  
25ft. Single Phase Plug AC Line Cord

and



**TI2007-208**  
8ft. DC Aviation Cable Assembly

or



**TI2007-315**  
15ft. DC NATO Cable Assembly

Tesla™ Industries, Inc.

www.teslaind.com ♦ www.tesla1.com

Email: tesla1@teslaind.com

**Headquarters:** (302) 324-8910

101 Centerpoint Blvd. New Castle, DE 19720

**Western Regional Office:** (775) 622-8801

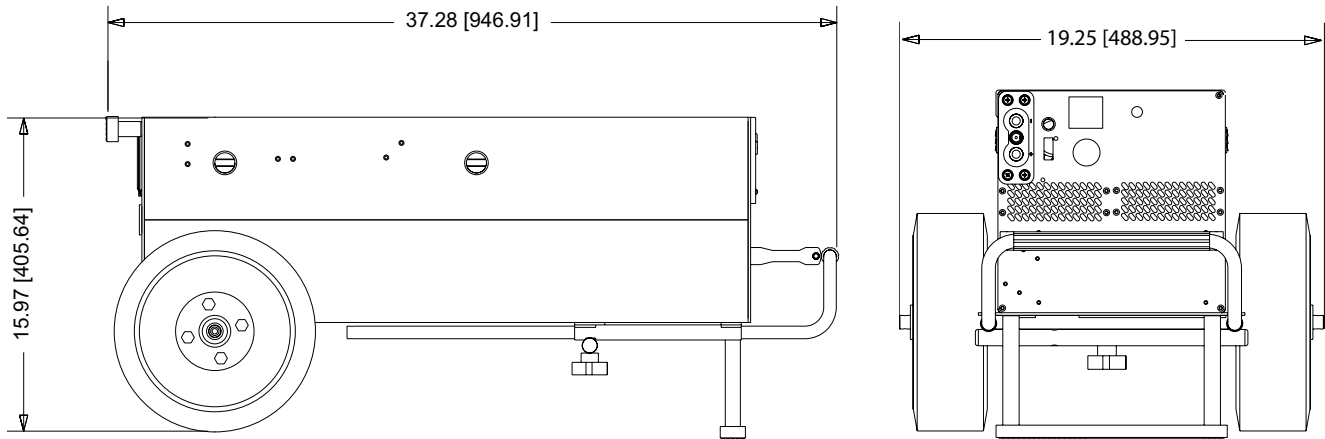
9475 Double R Blvd. Suite 2, Reno, NV 89521



**The POWER  
Of RED™**



# Dimensions and Technical Specifications



\* All dimensions are in inches [millimeters]

## Technical Specifications:

DC Output	46 amp hours (1024 watts) of rechargeable power without ac power 96 amp hours (2449 watts) with ac power 70 amps continuous @ 28.5 Vdc (plugged into ac power)
Peak Starting Amps	3000 A
AC Input	Operates and charges from single phase 105-260 Vac / 40 Hz - 450 Hz 19.8 amps @ 120 Vac 9.9 amps @ 240 Vac
Recharging Rate	35 minutes (from full discharge) @ 25 °C
Storage Temperature	-65 °C to 105 °C (-85 °F to 221 °F)
Operating Temperature w/o AC Power	-40 °C to 60 °C (-40 °F to 140 °F)
Operating Temperature w/ AC Power	-40 °C to 55 °C (-40 °F to 131 °F)
Weight	158.5 lbs (71.89 kg)

## Optional Accessories:



TI7000-142 Protective Cover



TI7000-026 Shipping Case